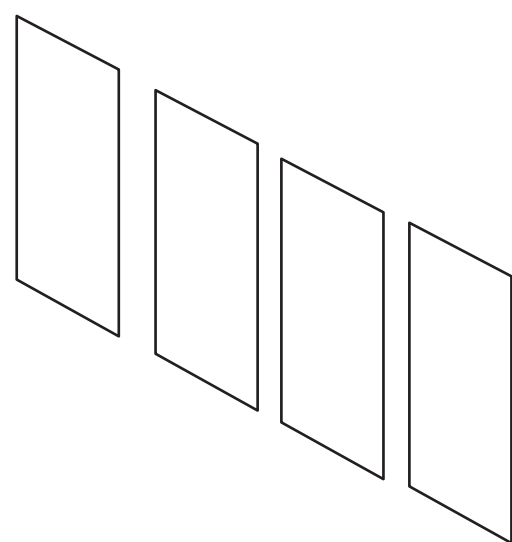
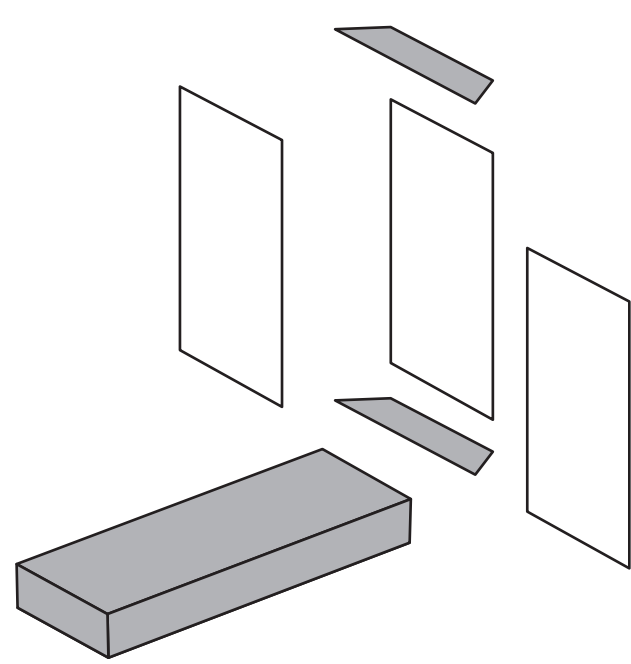


Stage to Catwalk Transformation Instructions and Templates

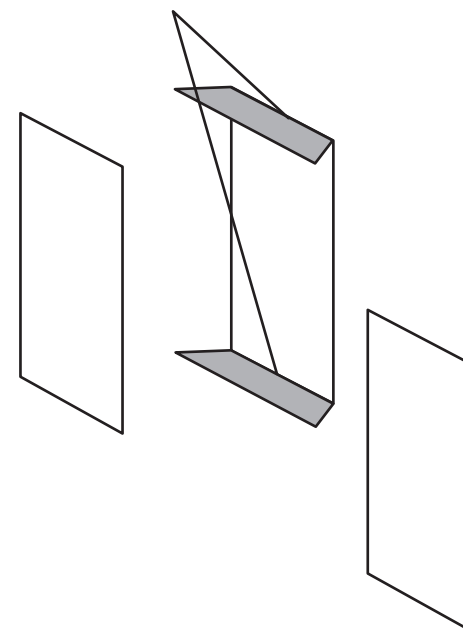
1. Cut the white backdrop included with the set in 4 equal parts (use the fold lines as a guide). If you wish to preserve your backdrop, you can also cut three new panels in foam board or a thick High-Art type board.
Note: Each segment should measure roughly 15" high X 7 3/4" wide.



2. Use the template below to create the missing parts using foam board or a thick "High Art" board (in gray).



3. Use hot glue gun to attach the spacers to the top and bottom of the center section.



4. Glue the two front panel sections as shown. Use the new runway you created as a guide.

